



# PROJECT SPECIFICATIONS

## Cardinal Shower Enclosures

4795 Shepherdsville Road, Louisville, KY 40218

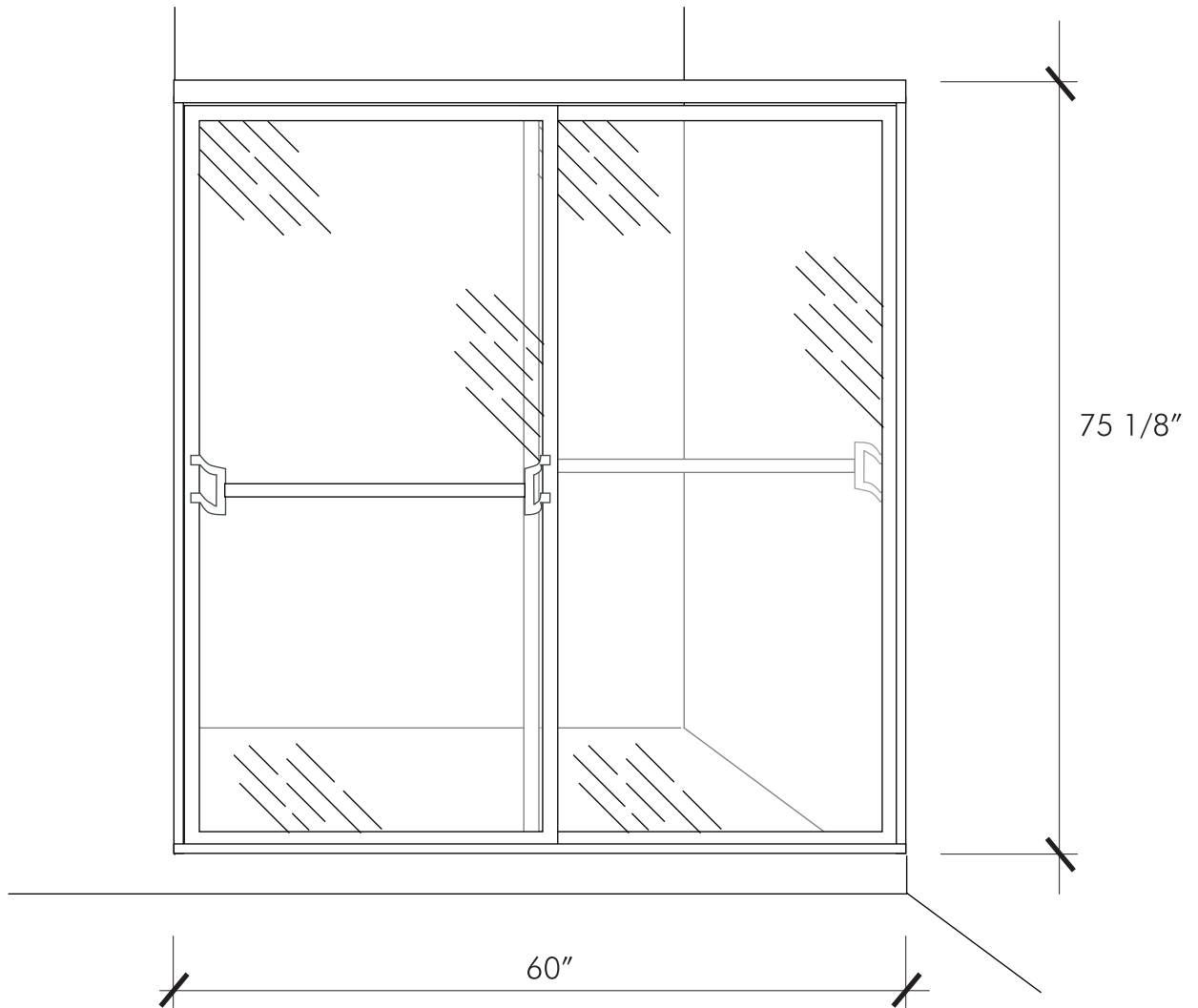
Tel: 502-969-4059 | Fax: 502-969-8417 | Web: [www.cardinalshower.com](http://www.cardinalshower.com)

**CUSTOMER:** Shmoe Construction

**DATE:** November 5, 2008

**PROJECT:** Walnut Grove Hotel, Sacramento, CA

### SHOWER ENCLOSURE



DRAWING NOT TO SCALE

### SPECIFICATIONS

- UNIT:** Craftsman Series Enclosure: CRSE 60-75 1/8
- SIZE:** 60" wide x 75 1/8" tall
- GLASS:** Obscure (3/16" thick)
- FINISH:** Satin



# PROJECT SPECIFICATIONS

## Cardinal Shower Enclosures

4795 Shepherdsville Road, Louisville, KY 40218

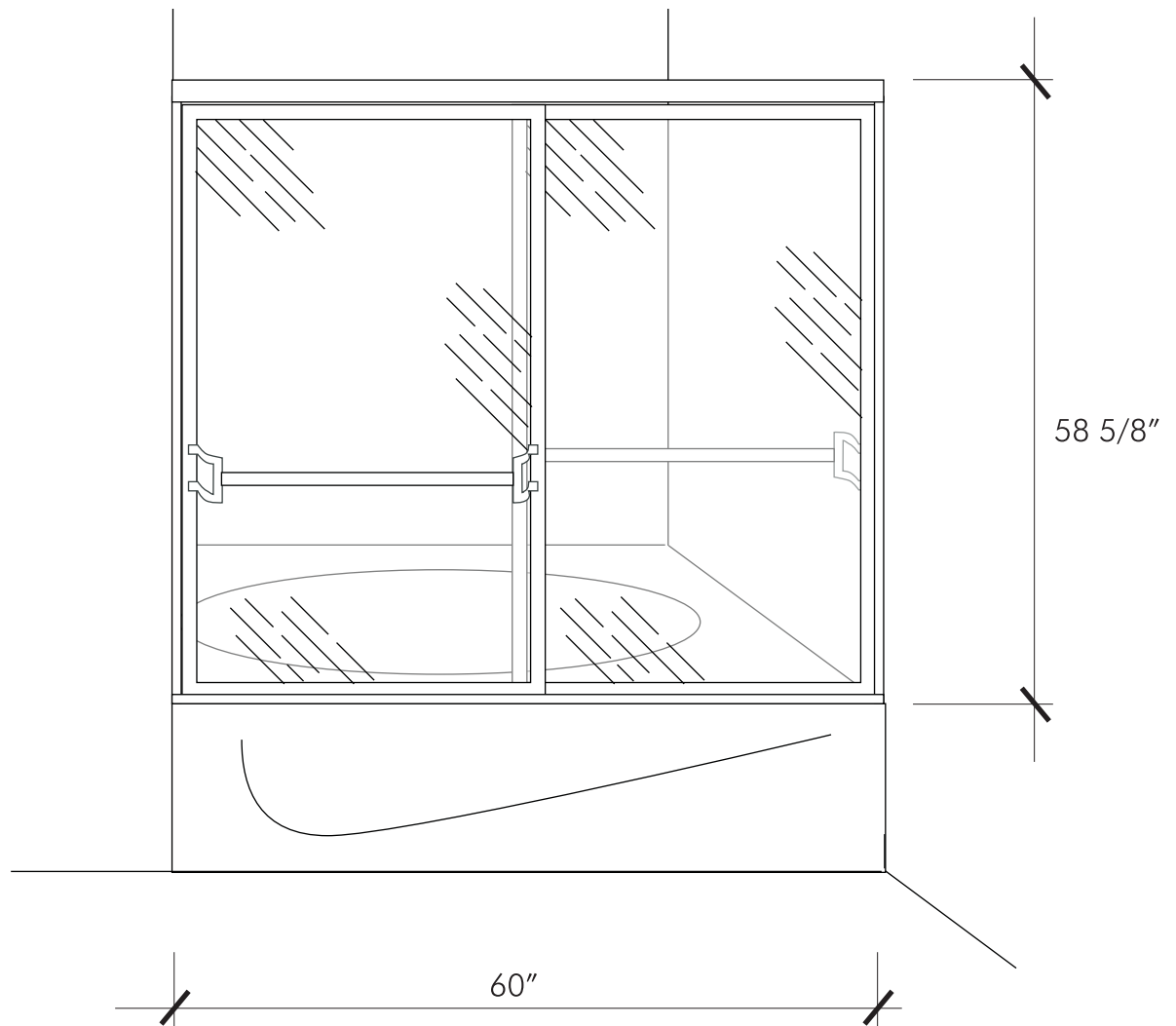
Tel: 502-969-4059 | Fax: 502-969-8417 | Web: [www.cardinalshower.com](http://www.cardinalshower.com)

**CUSTOMER:** Lee Supply Company

**DATE:** November 5, 2008

**PROJECT:**

### TUB ENCLOSURE



DRAWING NOT TO SCALE

### SPECIFICATIONS

**UNIT:** Craftsman Series Enclosure: CRTE 60  
**SIZE:** 60" wide x 58 5/8" tall  
**GLASS:** Obscure (5/32" thick)  
**FINISH:** Satin