

**Cardinal**  
SHOWER ENCLOSURES



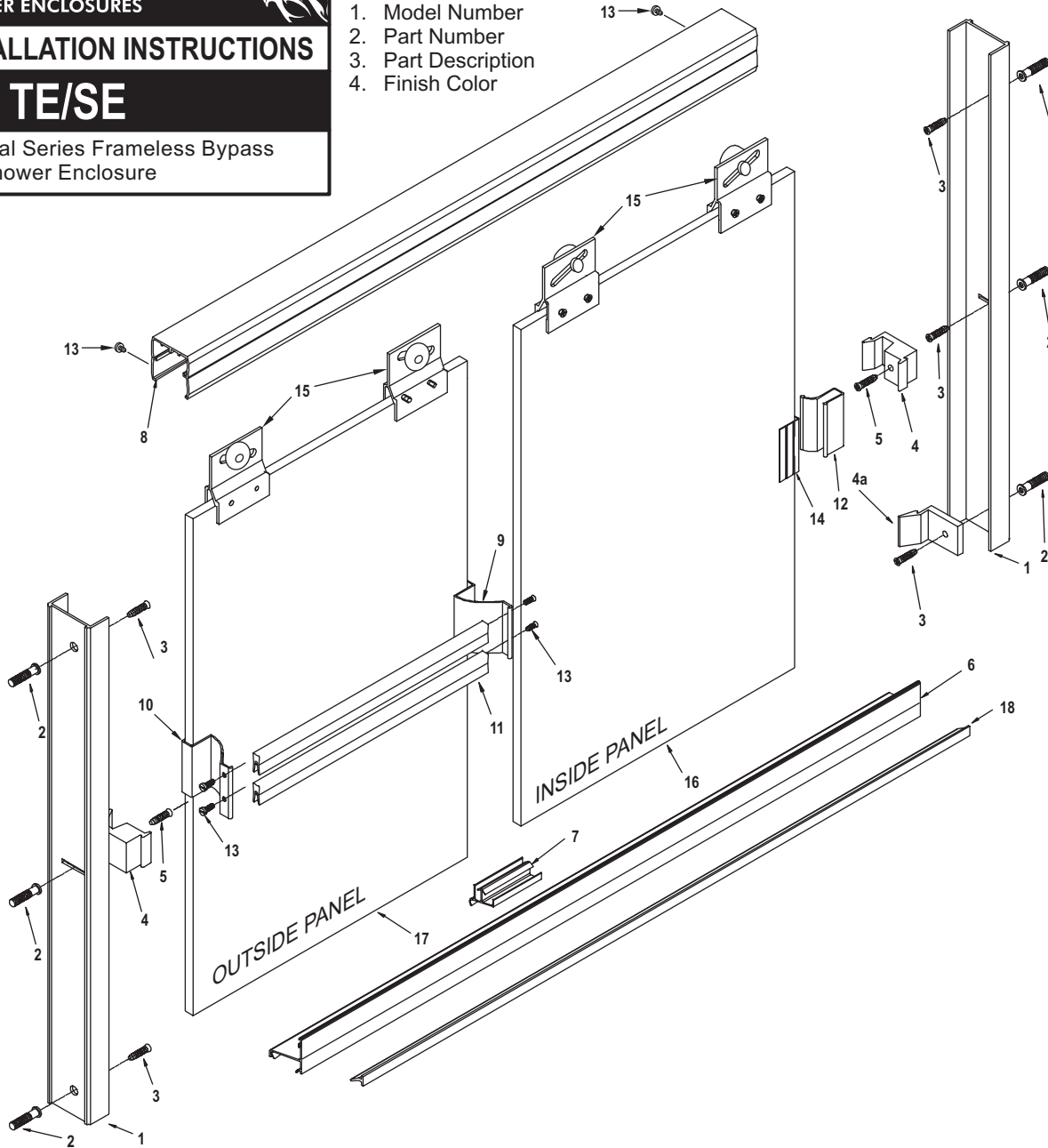
**INSTALLATION INSTRUCTIONS**

MODEL: **TE/SE**

Cardinal Series Frameless Bypass  
Tub/Shower Enclosure

When ordering repair parts, please provide the following information:

1. Model Number
2. Part Number
3. Part Description
4. Finish Color

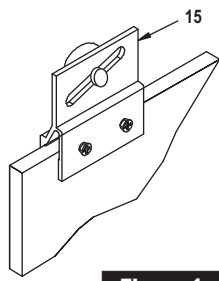


DESCRIPTION	QTY	PART NO.	PICTURE
1. Wall Jamba	2	ZTE-1203	
2. Wall Anchors	6	ZV-935	
3. #8x 1-1/4" screws	6	#8X 1-1/4"	
4. Door Bumpers	2	ZV-924	
4A. Bottom Bumpers	1	ZV-926	
5. 6-32 x 1/2" Screw	2	6-32 X 1/2	
6. Bottom Still	1	ZTE-1222	
7. Center Guide-3"	1	ZV-920	
8. Header	1	ZTE-1201	
9. Towel Bar Bracket	1	ZTE-2206	
10. Towel Bar Bracket With Pull	1	ZTE-2206P	
11. Towel Bars	2	ZTE-2205	
12. Inside Door Pull	1	ZTE-2207	
13. #6 x 3/8" Screw	6	#6 X 3/8"	
14. Handle Vinyl	3	ZV-914	
15. Roller bracket Assembly	4	ZTE-1209	
16. Inside Glass Panel	1		
17. Outside Glass Panel	1		
18. Curb Vinyl with ZTE-1222	1	ZV-918	

**REQUIRED TOOLS**

To install your shower enclosure, you will need the following:

- Level
- #31 Drill Bit
- 3/16" Carbide Drill Bit ( for tile walls)
- Phillips Screwdriver
- Silicone
- Hack Saw
- 1/4" Box End Wrench



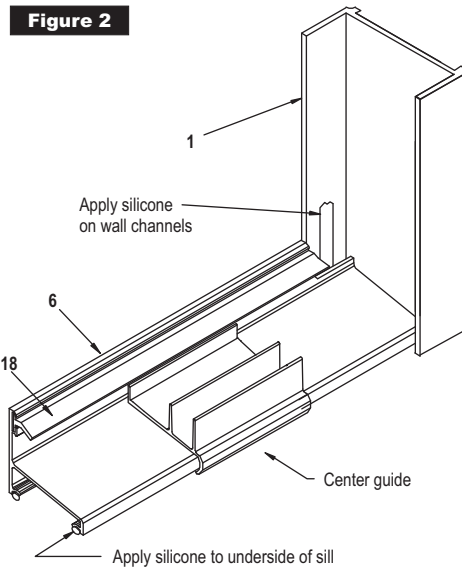
**Figure 1**

**NOTE:** Apply a bead of silicone (GE 1200) into the open channel of roller bracket before attaching to glass. To assemble roller bracket (15) to glass, tighten screws until surface of roller bracket is depressed 1/32" (28 inch pounds of torque). Allow to cure for 24 hours before hanging sliders.

1. Set wall jambs (1) in place on walls, centering bottom of jambs on rim of tub. Hold plumb and mark walls for screw holes.
2. Remove and drill 3/16" diameter holes in walls (use a carbide tipped drill bit for tiles walls). Insert plastic wall anchors (2) into holes. Silicone where the wall meets the rim of the tub to seal the bottom of jamb. Set jambs in place and secure to the wall with #8 x 1-1/4" screws (3). Secure bottom bumper (4a) on shower head / inside side with the bottom wall jamb screw.

3. Cut sill (6) to fit opening between jambs. Run a bead of silicone full length to the underside of sill (See Figure 2) and apply silicone to inside of jamb where jamb meets tub. On the inside of jamb, run a 1/4" bead of silicone 1-1/4" up the outside leg of each wall jamb (See Figure 2). Set curb in place, then press firmly to rim of tub. Wipe off any excess silicone before curing. Use tape to hold in place until silicone sets.

**Figure 2**



4. Cut header (8) 1/32" to 1/16" less than opening width and set in place.

5. To set slider glass in place, hold inside slider inside of tub shower pan, insert rollers up into header and lower into place. The inside will close against the wall jamb on the shower head side. Next, insert lower end of outside slider in front of inside slider by pushing lower ends far enough in to allow clearance on inside edge of tub or pan. Avoid roller bracket to roller contact while lifting panel into place. The outside slider will close against the jamb opposite the shower head.

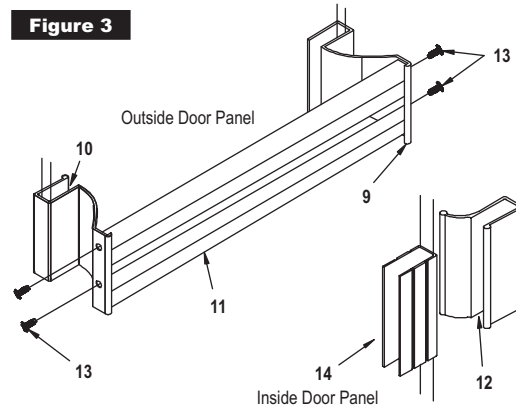
6. Place center guide (7) to center position on sill (See Figure 2). make sure the center guide is hooked into the slot position on the sill, then snap center guide to sill.

7. Close panels and adjust to align the vertical edge of panel with jamb. Using a 1/4" box-end wrench, loosen the screws on the rollers, but don't remove completely. When screw are loose, adjust panel by sliding the screw into the slot. **NOTE:** When screws are loose be sure to support panel so it does not fall and break. Adjust the inside slider as low as possible to reduce the gap between bottom of slider and sill taking care that the glass does not drag on the track of center guide.

8. Set hand vinyl channel (14) in place over edges of outside glass panel (17) with bottom of vinyl in line with bottom of bumper. Tap towel bar brackets (9 & 10) in place. Bracket with pull should be to jamb side of slider opposite shower head. Assemble towel bars (11) to brackets using #6 x 3/8" screws (13).

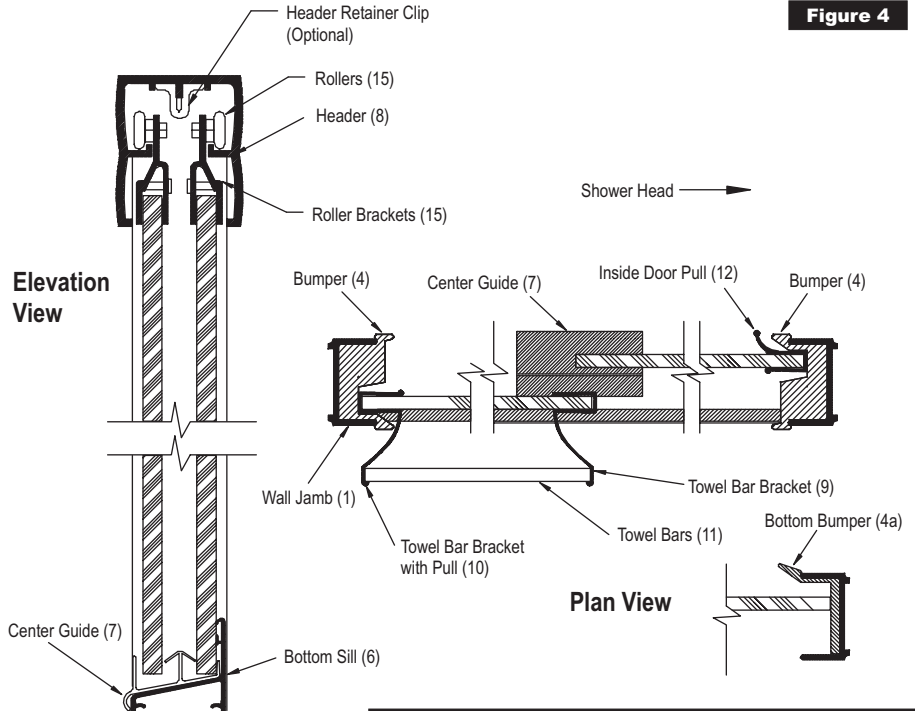
9. Set handle vinyl (14) in place over edge of inside glass panel (16) with bottom of bumper on edge facing the wall jamb (1). Tap inside door pull (12) in place. Note: Large portion of pull to the

**Figure 3**



of bumpers. The recess is toward the inside of the tub on the shower head jamb, and toward the outside on the other jamb.

12. Silicone inside of shower where jambs meet walls and sill meets rim of tub.



**Figure 4**

inside of slider. This panel should be at the shower head / inside side.

10. Center hole in jamb is slotted to allow adjusting of jamb to compensate for bowed glass. After installing hardware, roll both panels into jamb on one side. If edge of glass hits on edge of jamb, loosen center screw and adjust jamb accordingly. Repeat on opposite side. From INSIDE of unit, drill #31 holes through header and into wall jamb. Secure header to wall jambs with two #6 x 3/8" screws (13).

11. Secure bumpers (4) in place with 6-32 x 1/2" screw (5). **NOTE:** Glass panels close into the recessed portion

**Cardinal**  
SHOWER ENCLOSURES



## INSTALLATION INSTRUCTIONS

MODEL: **TE/SE**

Cardinal Series Frameless Bypass  
Tub/Shower Enclosure

# Frameless Enclosures

Model TE Tub Enclosure  
Model SE Shower Enclosure

Model #	Width	Height	Max. Glass Size
TE-60	42" to 60"	57 3/8"	30" x 55"
TE-66	60" to 66"	57 3/8"	33" x 55"
TE-72	66" to 72"	57 3/8"	36" x 55"
SE-48	42" to 48"	70 3/8"	24" x 68"
SE-60	54" to 60"	70 3/8"	30" x 68"
SE-66	60" to 66"	70 3/8"	33" x 68"
SE-72	66" to 72"	70 3/8"	36" x 68"

## Breakdown Chart for Special Height and Width TE & SE Units

QTY.	Part# & Description	How to arrive at measurement
1	ZTE-1201 Header	Unit width minus 1/16"
2	ZTE-1203 Side Jambs	Unit height minus 1 1/8"
1	ZTE-1222 Bottom Track	Unit width minus 7/16"
1	ZTE-2205 Towel Bars	Glass width (see chart above) minus 1/4"
<b>Glass</b>		
2	Slider width height	Unit width divided by 2 Unit width minus 2 3/8"

\*Model TE-60 short (56 3/8" high) is available using 30" x 54" glass

\*Model TE-56 short (55 3/8" high) is available using 28" x 53" glass

This page intentionally left blank