

Cardinal
SHOWER ENCLOSURES



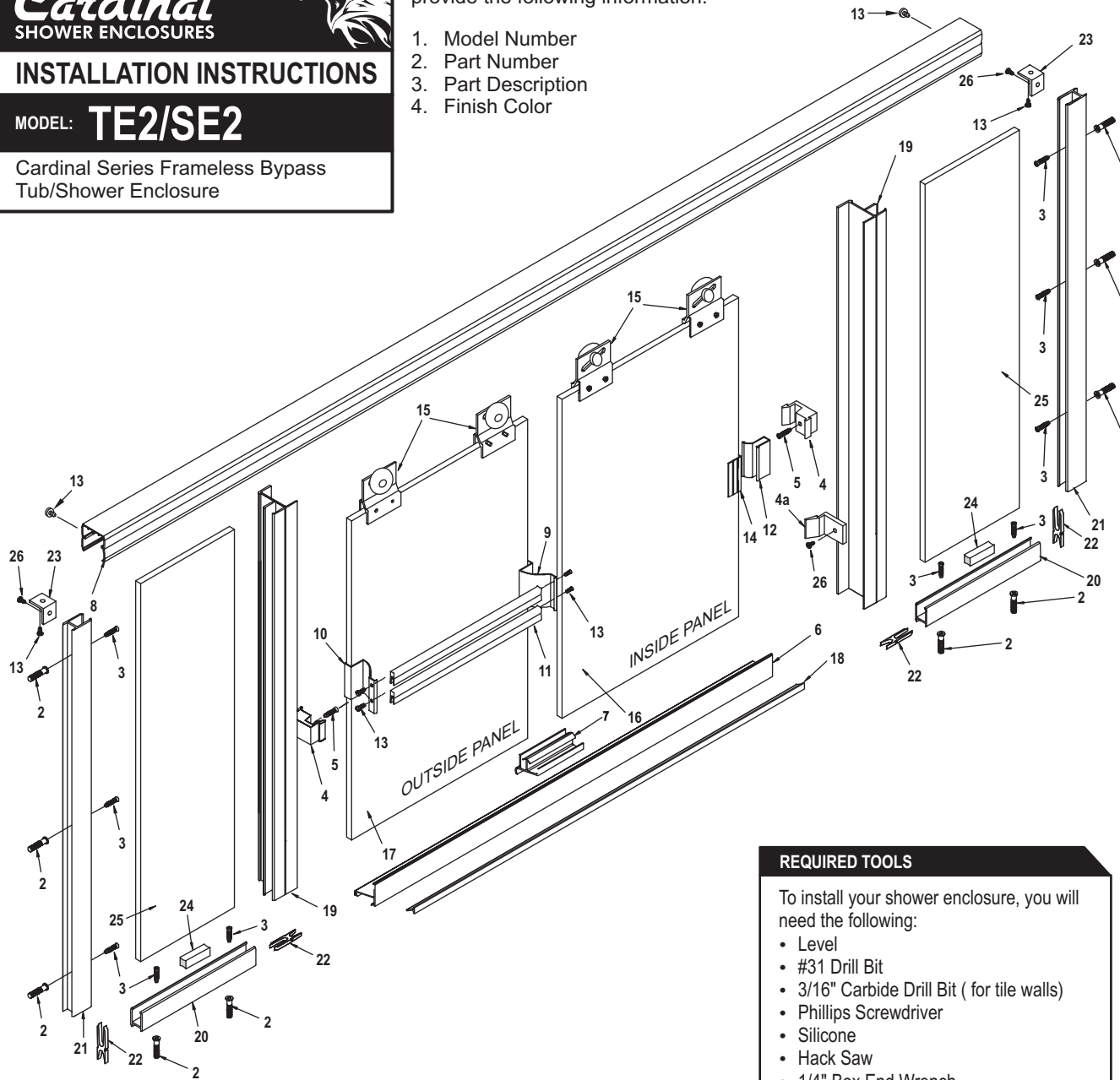
INSTALLATION INSTRUCTIONS

MODEL: **TE2/SE2**

Cardinal Series Frameless Bypass
Tub/Shower Enclosure

When ordering repair parts, please provide the following information:

1. Model Number
2. Part Number
3. Part Description
4. Finish Color



REQUIRED TOOLS

To install your shower enclosure, you will need the following:

- Level
- #31 Drill Bit
- 3/16" Carbide Drill Bit (for tile walls)
- Phillips Screwdriver
- Silicone
- Hack Saw
- 1/4" Box End Wrench

DESCRIPTION	QTY	PART NO.	PICTURE
1. Vertical Seal Vinyl	12	ZV-909	
2. Wall Anchors	10	ZV-935	
3. #8 x 1-1/4" Screws	10	#8 X 1-1/4"	
4. Door Bumpers	2	ZV-924	
4A. Bottom Bumper	1	ZV-926	
5. 6-32 x 1/2" Screw	2	6-32 X 1/2"	
6. Bottom Sill	1	ZTE-1222	
7. Center Guide - 3"	1	ZV-920	
8. Header	1	ZTE-1201	
9. Towel Bar Bracket	1	ZTE-2206	
10. Towel bar Bracket With Pull	1	ZTE-2206P	
11. Towel Bar	2	ZTE-2205	
12. Inside Door Pull	1	ZTE-2207	
13. #6 x 3/8" Screw	7	#6 X 3/8"	
14. Handle Vinyl	3	ZV-914	
15. Roller Bracket Assembly	4	ZTE-1209	
16. Inside Glass Panel	1		
17. Outside Glass Panel	1		
18. Door Guide Vinyl with ZTE-1222	1	ZV-918	
19. 180 Degree Post	2	ZTE-1218	
20. Curb Channel	2	ZD-1006	
21. Wall Channel	2	ZD-1006	
22. Post to Curb Key	4	ZC-180	
23. Clip	2	ZD-90	
24. Glass Support Block	2	ZV-902	
25. Glass Panels	2		
26. #6 x 1/4" Screw	3	#6 x 1/4"	

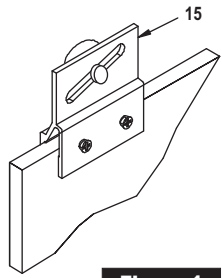


Figure 1

NOTE: Apply a bead of silicone (GE 1200) into the open channel of roller bracket before attaching to glass. To assemble roller bracket (15) to glass, tighten screws until surface of roller bracket is depressed 1/32" (28 inch pounds of torque). Allow to cure for 24 hours before hanging sliders.

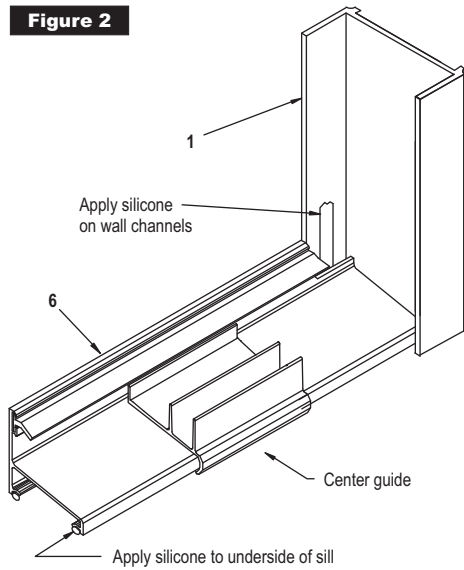
1. For 30" wide sliders deduct 60" from opening width, divide by two and subtract 7/8" to arrive at length of channel curbs (20).
2. Set channel curbs (20) temporarily in place on curb, inside edge of channel curb should be set 1/4" to outside of center of curb. Set wall channels (21) in place on curbs, hold plumb and mark screw locations.
3. Remove wall channel and channel curbs. Drill 3/16" holes in walls, and insert plastic screw anchors (2).
4. Run bead of silicone full length, to underside of channel curbs (20). Set channel curbs in place with weep holes to the inside. Fill channel

with silicone where curb meets wall. Set wall channels in place and secure with #8 x 1-1/4" screws (3). Secure clips (23) to top inside of wall channels with #6 x 1/4" (26).

5. Place glass support block (24) in center of channel curbs. Set panels (25) in place in curbs and into wall channels. Insert post to curb keys (22).

6. Caulk curb where 180 degree post (19) will set. Fill channel of 180 degree post with silicone, opposite bumper location, to help support post on panel. Set 180 degree post in place over edge of pane, hold plumb and insert vertical seal vinyl (1) into wall channel and post on both side of panel. Insert vertical seal vinyl into channel curb on both sides of panel.

Figure 2

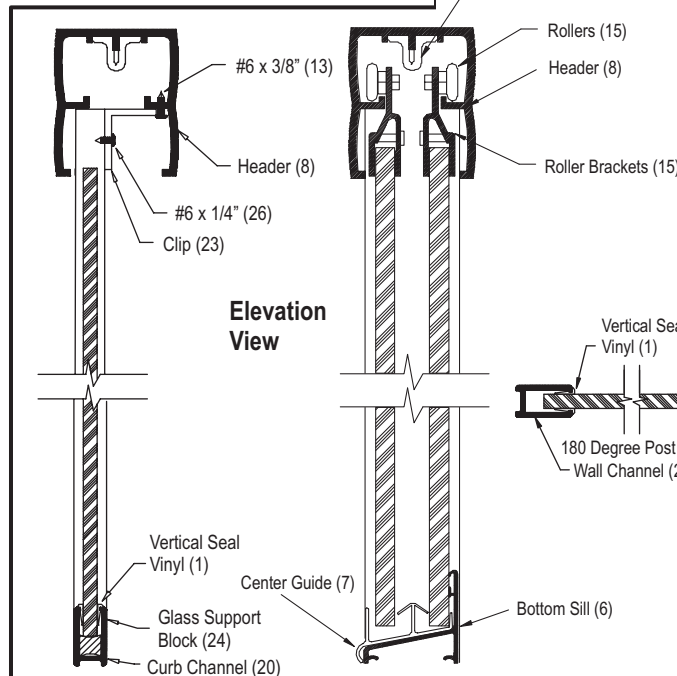


opening width set in place over 180 degree post and wall channels. Secure header to 180 degree post and wall channel clips (23) with #6 x 3/8" screws (13).

9. To set slider glass in place, hold inside panel (16) inside of tub or shower pan, insert rollers up into header and lower into place. Next, insert lower end of outside slider (17) in front of inside slider by pushing lower end far enough in, to allow clearance on inside edge of tub or pan. Avoid roller bracket to roller bracket contact while lifting panel

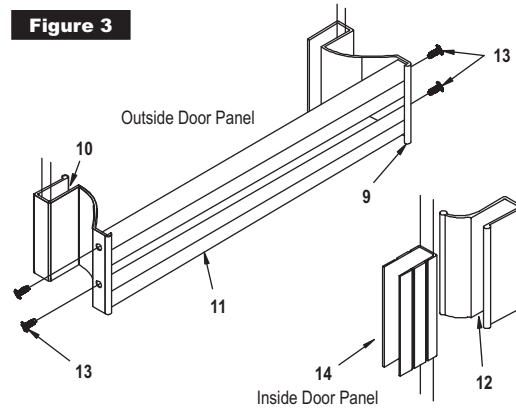
7. Measure between 180 degree post (19) at curb and use this measurement to cut bottom sill (6) to length. Run bead of silicone, full length to underside of sill and press firmly in place on curb.

8. Cut header (8) 1/32" to 1/16" less than



Elevation View

Figure 3



drag on the sill (6) or center guide (7). Adjust for bowed glass by using the slotted hole in the jamb. Secure bumpers (4) to the jambs using 6-32 x 1/2" screws (5).

11. Set handle vinyl (14) in place over edge of outside glass panel (17) with bottom of vinyl in line with the bottom of bumper (4). Tap towel bar brackets (9 & 10) in place (See Figure 3). Bracket with pull (10) should be to jamb side of slider opposite shower head. Assemble towel bars (11) to bracket using #6 x 3/8" SMS (13).

12. Set handle (12) in vinyl in place over edge of inside glass panel (16) with bottom of vinyl in line with bottom of bumper on edge facing the wall jamb. Tap inside door pull (12) in place. NOTE: Large portion of pull to inside of slider.

13. Silicone inside of shower where jambs meet walls and sill meets rim of tub.

into place. The outside slider will close against the jamb opposite the shower head. Slide center guide (7) onto center of sill. Snap into place.

10. Close panels and adjust to align the vertical edge of panels 180 degree post. Using a 1/4" box-end wrench, loosen the screws on the rollers, but don't remove completely. When screws are loose be sure to support panel so it does not fall and break. Adjust inside panel by sliding the screw in the slot. NOTE: When screws are loose be sure to support panel so it does not fall and break. Adjust inside slider as low as possible to reduce the gap between bottom of slider and sill taking care that the glass does not

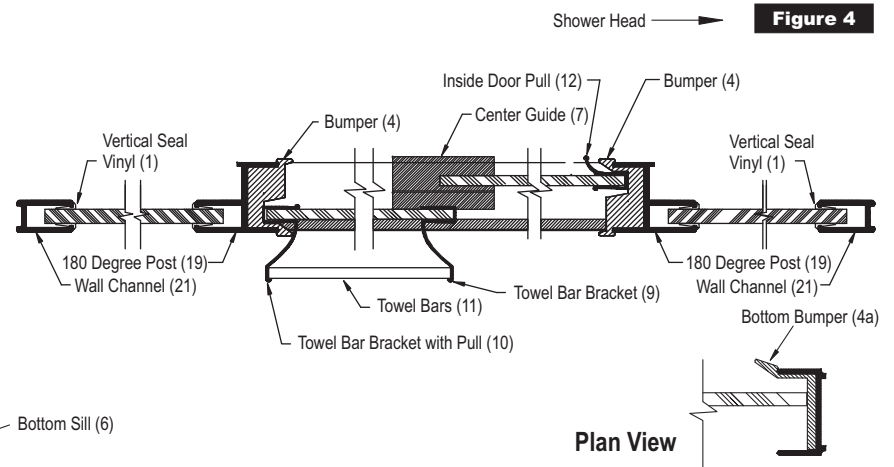


Figure 4

Cardinal
SHOWER ENCLOSURES



INSTALLATION INSTRUCTIONS

MODEL: **TE2/SE2**

Cardinal Series Frameless Bypass
Tub/Shower Enclosure

Frameless Enclosures

Model TE-2 Tub Enclosure
Model SE-2 Shower Enclosure

<u>Model #</u>	<u>Width</u>	<u>Inline Panel</u>	<u>Height</u>	<u>Max. Glass Size</u>
TE-2	42" to 60"	2-12"	57 3/8"	2-30" x 56" & 12" x 55 3/8"
SE-2	42" to 60"	2-12"	57 3/8"	2-30" x 68" & 12" x 68 3/8"

Breakdown Chart for Special Height and Width TE-2 & SE-2 Units

<u>QTY.</u>	<u>Part# & Description</u>	<u>How to arrive at measurement</u>
1	ZTE-1201 Header	Unit width minus 1/16"
1	ZTE-1203 Side Jamb	Unit height minus 1 1/8"
1	ZTE-1222 Bottom Track	Slide width minus 7/16"
2	ZTE-2205 Towel Bars	Glass width (see chart above) minus 14"
1	ZTE 1218 Inline Post	Unit height minus 1 1/8"
2	ZD 1006 Curb	Unit width minus slider width divided by 2
2	ZD 1006 Back all vertical	Unit height minus 2 1/16"
<u>Glass</u>		
2	Slider width height	Unit width minus panel width, divided by 2 Unit width minus 2 3/8"
1	Stationary panel width height	Unit width minus slider width divided by 2, minus 1" Unit height minus 2"

This page intentionally left blank