

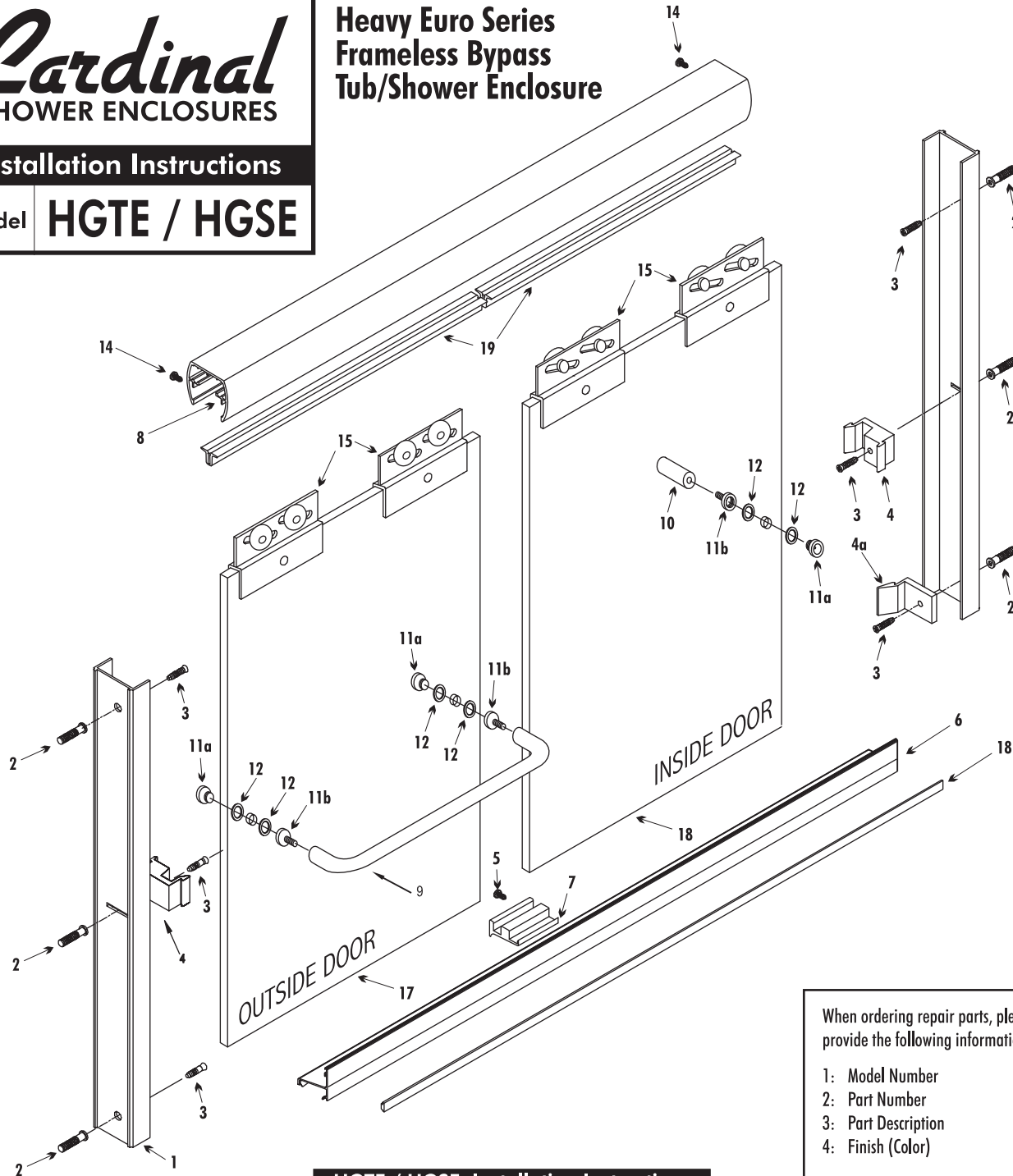
Cardinal

SHOWER ENCLOSURES

Installation Instructions

Model **HGTE / HGSE**

Heavy Euro Series Frameless Bypass Tub/Shower Enclosure



HGTE / HGSE Installation Instructions

To install your shower enclosure, you will need the following:

- 1: Level
- 2: #31 Drill Bit
- 3: 3/16" Carbide Drill bit (for tile walls)
- 4: Phillips Screwdriver
- 5: Silicone
- 6: Hack Saw
- 7: 1/4" Box End Wrench

Description	Qty	Part No.	Picture
1. Wall Jamba	2	ZTE-2603	
2. Wall Anchors	6	ZV-935	
3. #8 x 1-1/4" Screws	6	#8 X 1-1/4"	
4. Door Center Bumpers	2	HG-924	
4a. Door Bottom Bumper	1	HG-926	
5. 6 x 1/4" FH	1	#6/32x1/2"	
6. Bottom Sill	1	ZTE-2622	
7. Center Guide - 3"	1	HG-920C	
8. Header	1	ZTE-2602	
9. Tubular Towel Bar	1	CHG TB	
10. Tubular Inside Pull	1	CHG KSM	
11. Recessed Finger Pull	3	CHG-RP	
12. Recessed Finger Pull Washer	6	3/4" Washer	
13. Nylon Sleeve	3	1/4" Sleeve	
14. #6 x 3/8" Screw	2	#6 x 3/8"	
15. Double Roller Bracket Assembly - 3"	4	ZTE-1231	
16. Inside 3/8" Glass Panel with one 7/8" hole	1		
17. Outside 3/8" Glass Panel with two 7/8" holes	1		
18. Door Guide Vinyl with ZTE-2622	1	ZV-960	
19. Snap-In Retainer	2	ZV-952	

When ordering repair parts, please provide the following information:

- 1: Model Number
- 2: Part Number
- 3: Part Description
- 4: Finish (Color)

NOTE: Apply a bead of silicone (GE1200) into the open channel of Roller Bracket (15) before attaching to the glass. After placing roller brackets on the glass, insert screw through bracket and glass into female end. Tighten screw until metal is depressed by 1/32". Allow silicone to cure for 12 hours before hanging panels.

1. Set wall jamba (1) in place on walls, centering bottom of jamba on rim of tub. Hold plumb and mark walls for screw holes.

2. Remove and drill 3/16" diameter holes in walls (use a carbide tipped drill bit for tile walls). Insert plastic wall anchors (2) into holes. Silicone where the wall meets the rim of the tub to seal the bottom of jamb. On the shower head side of enclosure, secure door center bumper (4) and bottom bumper (4a) with #8 x 1-1/4" screws (3) and top of wall jamb with another #8 x 1-1/4" screw (3). On the other side, secure door center bumper (4) with a #8 x 1-1/4" screws (3) and top and bottom of wall jamb with two more #8 x 1-1/4" screws (3). **NOTE:** Glass panels close into the recessed portion of the bumpers. The recess is toward the inside of the tub on the shower head side, and towards the outside on the other jamb.

3. Cut sill (6) to fit opening between jamba. Run a bead of silicone full length to the underside of sill (See Figure 2) and apply silicone to inside of jamb where jamb meets tub. On inside of jamb, run a 1/4" bead of silicone 1-1/4" up the outside leg of each wall jamb (see Figure 2). Set sill in place and press firmly to rim of tub. Wipe off any excess silicone before curing. Use tape to hold in place until silicone has set.

4. Cut header (8) 1/32" to 1/16" less than opening width and set in place.

5. To set slider glass in place hold inside slider panel inside of tub or shower pan, insert rollers up into header and lower into place. The inside slider glass has only one hole for the inside pull (10) and will close against the wall jamb on the shower head side. Next, insert lower end of outside slider in front of inside slider by pushing lower ends far enough in to allow clearance on inside edge of tub or pan. Avoid roller bracket to roller bracket contact while lifting panel into place. The outside slider will close against the jamb opposite the shower head.

6. Place center guide (7) in the middle of the sill (see Figure 2). Make sure the center guide is hooked into position on the sill. Attach center guide with #6 x 3/8" screw (14).

7. Close panels and adjust to align the vertical edge of panels with jamba. Using a 1/4" box-end wrench, loosen the screws on the rollers, but don't remove completely. When screws are loose, adjust panel by sliding the screw in the slot. **NOTE:** When screws are loose be sure to support panel so it does not fall and break. Adjust inside slider as low as possible to reduce the gap between bottom of slider and sill taking care that the glass does not drag on the track or the center guide.

8. To install towel bar (9), first attach bases of recessed finger pulls (11b) to the towel bar (9). Place nylon towel bar insert sleeves (13) into the holes in the glass (17). Next, hold the towel bar (9) against

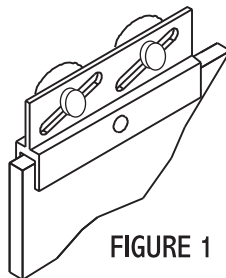


FIGURE 1

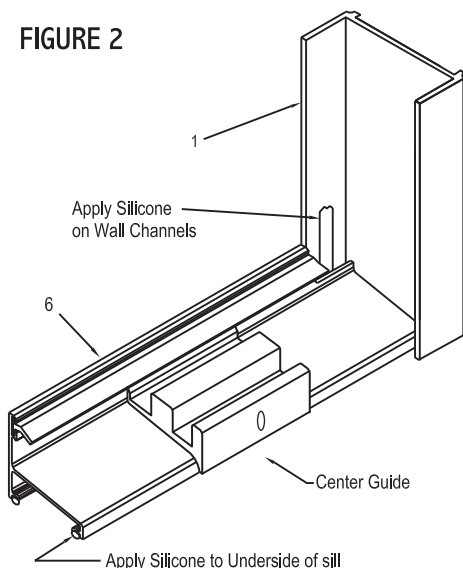


FIGURE 2

the hole in the glass with the recessed finger pull washer (12) between the glass and the towel bar. Place a recessed finger pull (11a) on the recessed finger pull (11a) and secure towel bar (9) in place at both ends. Install the pull the same way the towel bar was installed.

9. Center hole in jamb is slotted to allow adjusting of jamb to compensate for bowed glass. After installing hardware, roll both panels into jamb on one side. If edge of glass hits on edge of jamb, loosen center screw and adjust jamb accordingly. Repeat on opposite side.

10. From inside of unit, drill #31 holes through headers into wall jamba, 11/16" from bottom of header. Secure header to wall jamba with two #6 x 3/8" screws (14).

11. After doors have been installed and rollers have been adjusted install the two snap retainers (ZV-952) onto the upper center rib inside the header. Slide both doors to one side, starting at the "open" wall, push the retainer into place until the "snap" is heard toward the end. Slide the doors to the opposite side and repeat process starting from the opposite wall. **NOTE:** One snap retainer will need to be trimmed to fit; retainers will not overlap but need to butt together. Refer to Figure 4 for cut away view of installation.

12. Silicone inside of shower where jamba meet walls and sill meets rim of tub.

FIGURE 3

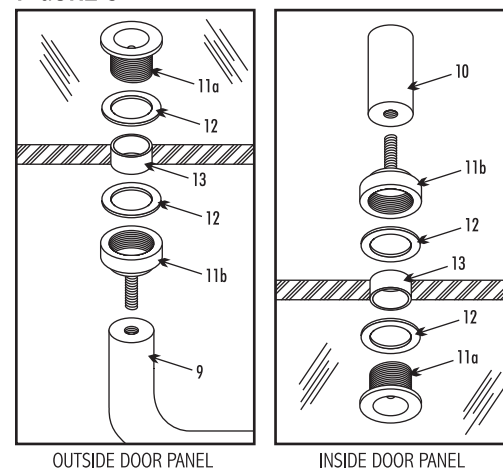
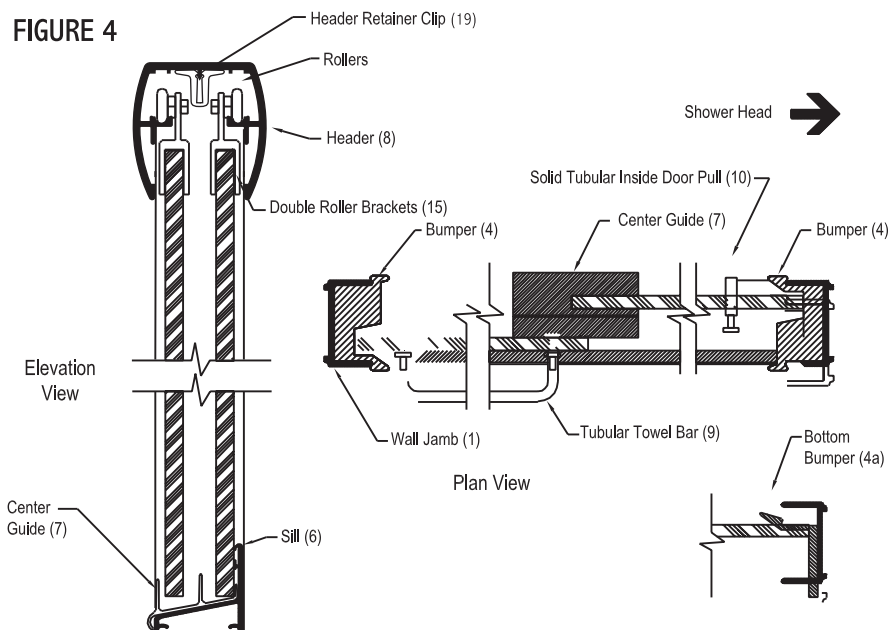


FIGURE 4



Cardinal

SHOWER ENCLOSURES

Installation Instructions

Model **HGTE / HGSE**

Frameless Enclosures

Model HGTE Heavy Euro Tub Enclosure (for 3/8" glass)

Model HGSE Heavy Euro Enclosure (for 3/8" glass)

<u>Model #</u>	<u>Width</u>	<u>Height</u>	<u>Max. Glass Size</u>
HGTE-60	42" to 60"	57 1/2"	30" x 55" w/ holes
HGTE-66	60" to 66"	57 1/2"	33" x 55" w/ holes
HGTE-72	66" to 66"	57 1/2"	36" x 55" w/ holes
HGSE-48	42" to 66"	70 1/2"	24" x 68" w/ holes
HGSE-60	54" to 66"	70 1/2"	30" x 68" w/ holes
HGSE-66	60" to 66"	70 1/2"	33" x 68" w/ holes
HGSE-72	66" to 66"	70 1/2"	36" x 68" w/ holes

Breakdown Chart for Special Height and Width HGTE & HGSE Units

<u>QTY.</u>	<u>Part# & Description</u>	<u>How to arrive at measurement</u>
1	ZTE-2602 Header	Unit width minus 1/16"
2	ZTE-2603 Side Jambs	Unit height minus 1 1/4"
1	CHG TB Towel Bar	Centered on Glass (see instructions below)*
1	CHG-KSM Knob	Centered on Glass (see instructions below)*
1	ZTE-2622 Bottom Track	Unit width minus 7/16"
2	3/8" Glass 1/2"holes Slider width height	Slider width divided by 2

*Center towel bar both top to bottom and side to side.

*Make knob on the inside lite same distance from edge as the towel bar is on the outside lite. Center from top to bottom.